

Product data sheet

Specifications



TeSys Deca Manual Starter and Protector, thermal magnetic circuit protector, rotary handle, 20 to 25 A, screw clamp

GV2P22

Product availability: Stock - Normally stocked in distribution facility

Price*: 278.00 USD

Main

| | |
|---------------------------|-------------------------|
| Range | TeSys Deca |
| Product name | TeSys GV2 TeSys Deca |
| Product or Component Type | Motor circuit breaker |
| Device short name | GV2P |
| Device Application | Motor protection |
| Trip unit technology | Thermal-magnetic |

Complementary

| | |
|---|---|
| poles description | 3P |
| Network type | AC |
| Utilisation category | Category A IEC 60947-2 AC-3 IEC 60947-4-1 AC-3e IEC 60947-4-1 |
| Network frequency | 50/60 Hz IEC 60947-4-1 |
| Fixing mode | 35 mm symmetrical DIN rail clipped Panel screwed with 2 x M4 screws |
| Motor power kW | 11 kW 400/415 V AC 50/60 Hz 15 kW 500 V AC 50/60 Hz |
| Breaking capacity | 100 kA Icu 230/240 V AC 50/60 Hz IEC 60947-2 50 kA Icu 400/415 V AC 50/60 Hz IEC 60947-2 20 kA Icu 440 V AC 50/60 Hz IEC 60947-2 10 kA Icu 500 V AC 50/60 Hz IEC 60947-2 4 kA Icu 690 V AC 50/60 Hz IEC 60947-2 |
| [Ics] rated service short-circuit breaking capacity | 100 % 230/240 V AC 50/60 Hz IEC 60947-2 50 % 400/415 V AC 50/60 Hz IEC 60947-2 75 % 440 V AC 50/60 Hz IEC 60947-2 75 % 500 V AC 50/60 Hz IEC 60947-2 100 % 690 V AC 50/60 Hz IEC 60947-2 |
| Control Type | Rotary handle |
| Line Rated Current | 25 A |
| Thermal protection adjustment range | 20...25 A IEC 60947-4-1 |
| Magnetic tripping current | 327 A |
| [Ith] conventional free air thermal current | 25 A IEC 60947-4-1 |
| [Ue] rated operational voltage | 690 V AC 50/60 Hz IEC 60947-2 |

Price is "List Price" and may be subject to a trade discount – check with your local distributor or retailer for actual price.

| | |
|---|---|
| [Ui] rated insulation voltage | 690 V AC 50/60 Hz IEC 60947-2 |
| [Uimp] rated impulse withstand voltage | 6 kV IEC 60947-2 |
| Phase failure sensitivity | Yes IEC 60947-4-1 |
| Suitability for isolation | Yes IEC 60947-1 § 7-1-6 |
| Power dissipation per pole | 2.5 W |
| Mechanical durability | 100000 cycles |
| Electrical durability | 100000 cycles AC-3 415 V In 100000 cycles AC-3e 415 V In |
| Rated duty | Continuous IEC 60947-4-1 |
| Tightening torque | 15.05 lbf.in (1.7 N.m) screw clamp terminal |
| Width | 1.8 in (45 mm) |
| Height | 3.5 in (89 mm) |
| Depth | 3.8 in (97 mm) |
| color | Dark grey |

Environment

| | |
|--|---|
| Standards | EN/IEC 60947-2 EN/IEC 60947-4-1 |
| Product Certifications | CCC UL CSA EAC ATEX LROS (Lloyds register of shipping) BV RINA DNV-GL UKCA |
| IK degree of protection | IK04 |
| IP degree of protection | IP20 IEC 60529 |
| Climatic withstand | IACS E10 |
| Ambient Air Temperature for Storage | -40...176 °F (-40...80 °C) |
| Fire resistance | 1760 °F (960 °C) IEC 60695-2-11 |
| Ambient air temperature for operation | -4...140 °F (-20...60 °C) |
| Mechanical robustness | Shocks 30 Gn for 11 ms Vibrations 5 Gn, 5...150 Hz |
| Operating altitude | 6561.68 ft (2000 m) |

Ordering and shipping details

| | |
|--------------------------|---------------|
| Category | US10I1122367 |
| Discount Schedule | 0111 |
| GTIN | 3389110213539 |
| Returnability | Yes |
| Country of origin | TH |

Packing Units

| | |
|-------------------------------|-----|
| Unit Type of Package 1 | PCE |
|-------------------------------|-----|

| | |
|-------------------------------------|---------------------------|
| Number of Units in Package 1 | 1 |
| Package 1 Height | 3.7 in (9.3 cm) |
| Package 1 Width | 1.8 in (4.6 cm) |
| Package 1 Length | 3.9 in (10 cm) |
| Package 1 Weight | 12.0 oz (339 g) |
| Unit Type of Package 2 | S02 |
| Number of Units in Package 2 | 20 |
| Package 2 Height | 5.9 in (15 cm) |
| Package 2 Width | 11.8 in (30 cm) |
| Package 2 Length | 15.7 in (40 cm) |
| Package 2 Weight | 15.666 lb(US) (7.106 kg) |
| Unit Type of Package 3 | P06 |
| Number of Units in Package 3 | 320 |
| Package 3 Height | 29.5 in (75 cm) |
| Package 3 Width | 23.6 in (60 cm) |
| Package 3 Length | 31.5 in (80 cm) |
| Package 3 Weight | 273.95 lb(US) (124.26 kg) |

Contractual warranty

| | |
|-----------------|-----------|
| Warranty | 18 months |
|-----------------|-----------|

Sustainability

Green Premium™ label is Schneider Electric's commitment to delivering products with best-in-class environmental performance. Green Premium promises compliance with the latest regulations, transparency on environmental impacts, as well as circular and low-CO₂ products.

Guide to assessing product sustainability is a white paper that clarifies global eco-label standards and how to interpret environmental declarations.


[Learn more about Green Premium >](#)

[Guide to assess a product's sustainability >](#)



Transparency RoHS/REACH

Well-being performance

 **Rohs Exemption Information** Yes

Certifications & Standards

| | |
|----------------------------------|---|
| Reach Regulation | REACH Declaration |
| Eu Rohs Directive | Compliant with Exemptions |
| China Rohs Regulation | China RoHS declaration Product out of China RoHS scope. Substance declaration for your information. |
| Environmental Disclosure | Product Environmental Profile |
| Weee | The product must be disposed on European Union markets following specific waste collection and never end up in rubbish bins. |
| Circularity Profile | End of Life Information |
| California Proposition 65 | WARNING: This product can expose you to chemicals including: Antimony oxide & Antimony trioxide, which is known to the State of California to cause cancer. For more information go to www.P65Warnings.ca.gov |

Performance Curves

Thermal-Magnetic Tripping Curves for GV2ME and GV2P
 Average Operating Times at 20 °C Related to Multiples of the Setting Current

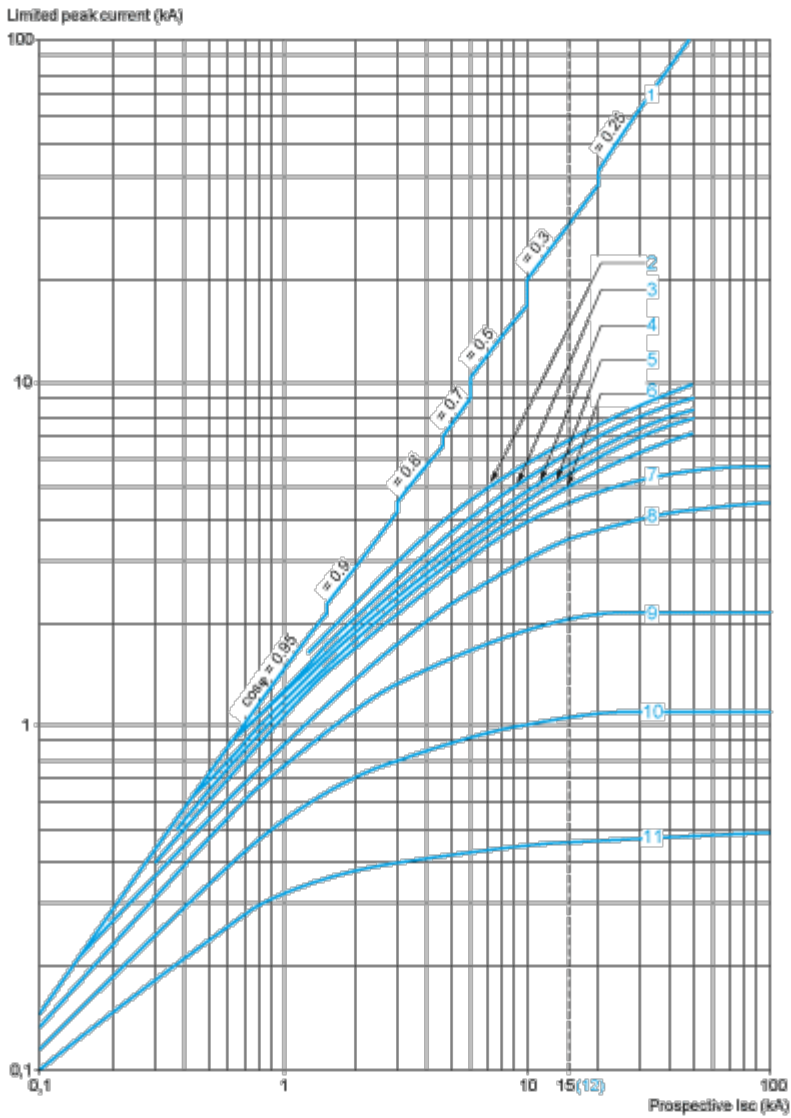


- 1 3 poles from cold state
- 2 2 poles from cold state
- 3 3 poles from hot state

Current Limitation on Short-Circuit for GV2ME and GV2P (3-Phase 400/415 V)

Dynamic Stress

$I_{peak} = f(\text{prospective } I_{sc}) \text{ at } 1.05 U_e = 435 \text{ V}$



- 1 Maximum peak current
- 2 24-32 A
- 3 20-25 A
- 4 17-23 A
- 5 13-18 A
- 6 9-14 A
- 7 6-10 A
- 8 4-6.3 A
- 9 2.5-4 A
- 10 1.6-2.5 A
- 11 1-1.6 A
- 12 Limit of rated ultimate breaking capacity on short-circuit of GV2ME (14, 18, 23, and 25 A ratings).

Thermal Limit on Short-Circuit for GV2P

Thermal Limit in kA²s in the Magnetic Operating Zone

Sum of I²dt = f (prospective Isc) at 1.05 Ue = 435 V

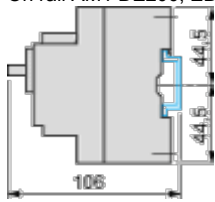


- 1 24-32 A
- 2 20-25 A
- 3 17-23 A
- 4 13-18 A
- 5 9-14 A
- 6 6-10 A
- 7 4-6.3 A
- 8 2.5-4 A
- 9 1.6-2.5 A
- 10 1-1.6 A

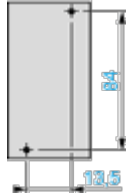
Dimensions Drawings

GV2P

On rail AM1 DE200, ED200 (35 x 15)



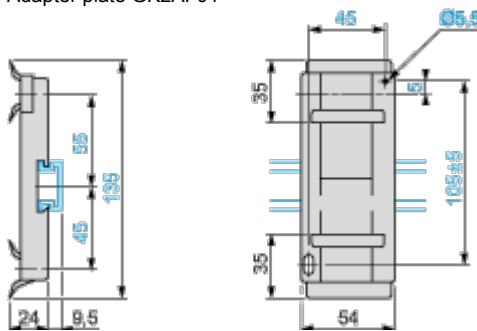
Panel mounted



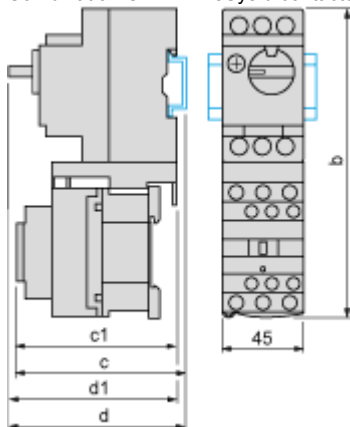
On pre-slotted plate AM1 PA



Adapter plate GK2AF01



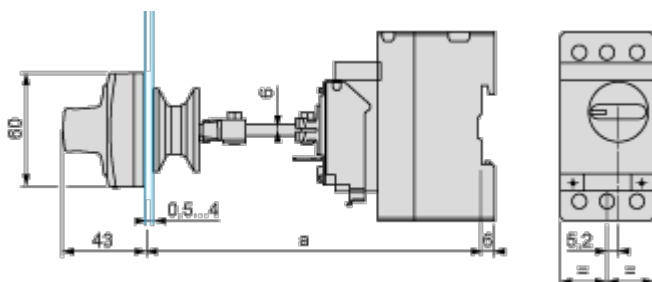
Combination GV2P + TeSys d contactor



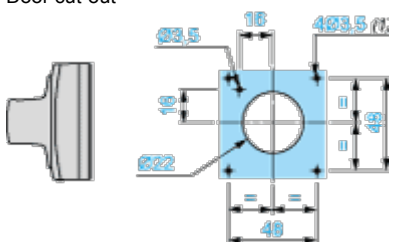
| GV2P + | LC1D09...D18 | LC1D25 and D32 |
|--------|--------------|----------------|
| b | 176.4 | 186.8 |
| c1 | 100.1 | 106.4 |
| c | 105.6 | 111.9 |
| d1 | 95 | 95 |
| d | 100.5 | 100.5 |

Mounting

Mounting of External Operator GV2APN01, GV2APN02 or GV2APN04 for Motor Circuit Breakers GV2P

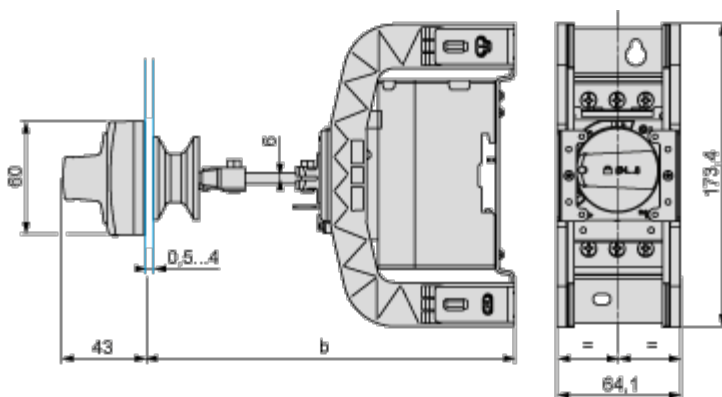


Door cut-out



(1) For IP65 only.

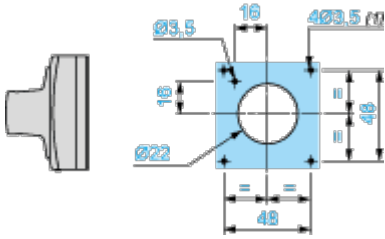
Mounting of External Operator GVAPH02 for Motor Circuit Breakers GV2P



| | a | | b | |
|--------------------------------|---------|---------|---------|---------|
| | Minimum | Maximum | Minimum | Maximum |
| GV2APN _{..} | 140 | 250 | - | - |
| GV2APN _{..} + GVAPH02 | - | - | 151 | 250 |

| | a | | b | |
|------------------------------|---------|---------|---------|---------|
| | Minimum | Maximum | Minimum | Maximum |
| GV2APN.. + GVAPK11 | 250 | 434 | - | - |
| GV2APN.. + GVAPH02 + GVAPK11 | - | - | 250 | 445 |

Door cut-out



(1) For IP65 only.

Connections and Schema

GV2P••

